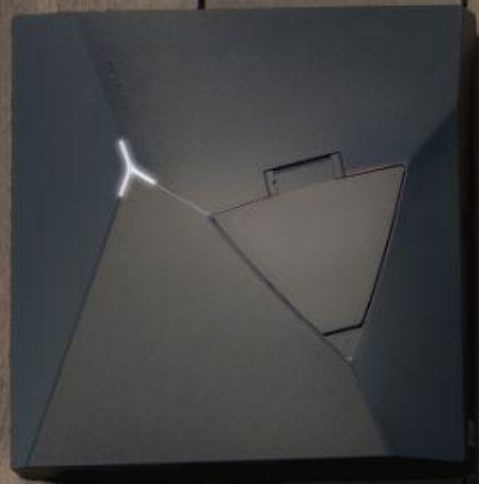




Power a clean future.



**Sweden Office:**

+46 738981965  
Sven Rinmans Gata 6  
112 37 Stockholm, Sweden

**UK Office:**

+44 (0) 3330 917151  
71-75, Shelton Street, Covent Garden  
London, WC2H 9JQ, UK

**General Inquiry Email:**

[info@nexblue.com](mailto:info@nexblue.com)

# NexBlue Edge (UK)

## EV Charger for Commercial Scenarios

### One for All and Future-oriented

- ✓ Adaptive to 1.4-22 kW charging power
- ✓ All grid systems compatible: TN-C-S, TN-C, TN-S, and TT
- ✓ OTA updates with WiFi / 4G eSIM / BLE
- ✓ Local OCPP 1.6-J supported

### Easy Installation and Configuration

- ✓ 4-minute installation
- ✓ Back plate design enables easy installation, maintenance and scalability
- ✓ NexBlue APP & Portal provide convenient configurations

### Cost Saving

- ✓ OZEV-approved for both commercial and residential grants
- ✓ Dynamic load balancing (with NexBlue Zen)
- ✓ Solar surplus charging (with NexBlue Zen)
- ✓ Low-cost charging with energy tariffs
- ✓ Schedule charging during off-peak hours

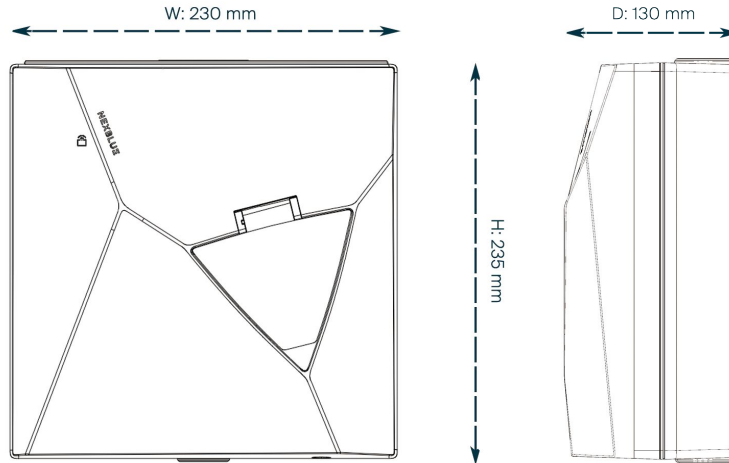
### Safety and Reliability

- ✓ CE certified by leading testing agencies: SGS & TUV
- ✓ 22 smart sensors ensure protection and safety
- ✓ PEN-fault protection integrated (1/3 phase)
- ✓ Anti tamper protection



# NexBlue Edge (UK)

## Dimensions



## Technical information

### General

Dimension (mm):  
 H: 235 x W: 230 x D: 130  
 Wall Mounting (mm):  
 H: 206 x W: 130  
 Weight: 1.9 kg  
 Operating Temperature:  
 -30 °C to +50 °C  
 Storage Temperature:  
 -40 °C to +70 °C  
 Working Humidity: 5% to 80%  
 Working Altitude: < 2000 m  
 External Package: Carton  
 Warranty: 3 years

### User Interface

Enclosure: Plastics  
 LED Indicator:  
 Red / Green / Blue / White / Orange  
 RFID Reader:  
 ISO / IEC 14443 Type A  
 Start Mode:  
 myNexBlue APP / RFID / NFC / Plug  
 & Play / NexBlue User Portal

### Connectivity

Wi-Fi: 2.4 GHz 802.11b/g/n  
 Built-in eSIM:  
 4G (LTE Cat M1) / 2G / GPRS  
 Nexus RF  
 Bluetooth: BLE 4.2  
 OCPP: Local OCPP 1.6-J

### Protection

Built-in Residual Current Protection:  
 RDC-DD (6 mA DC) according to IEC  
 62955 + 30 mA AC\*  
 PEN Fault protection: Integrated  
 protection according to BS  
 7671:2018/A2:2022  
 Ingress Protection: IP54  
 Impact Protection: IK08  
 UV Resistant  
 Insulation Class: I  
 Overvoltage Category: III  
 EMC Level: CLASS B  
 Other Protection:  
 Overload protection  
 Residual current protection  
 Surge protection  
 Over/under voltage protection  
 Temperature protection  
 Relay welding protection  
 PE presence detection  
 CP diode presence detection

### Charging & Power grids

Charging Power: 1.4 to 22 kW  
 Charge Connector: Type 2 Socket  
 Rated Current:  
 6 A 1 phase to 32 A 3 phase  
 Maximum Output Current: 32 A  
 Voltage:  
 3 \* 400 V AC / 230 V AC (±10%)  
 Installation Network:  
 TN-C-S, TN-C, TN-S, and TT  
 Mains Frequency: 50 Hz  
 Built-in Energy Meter: ±2%

### Regulations:

EU Type Examination Certificate  
 (Module B) Confirming Compliant  
 with:  
 2014/53/EU (RED) | 2014/35/EU  
 (LVD)  
 2014/30/EU (EMC) | 2011/65/EU  
 (RoHS)  
 The Electric Vehicles (Smart Charge  
 Points) Regulations 2021  
 See DoC for details at  
<https://nexblue.com/pages/doc-declaration-of-conformity>

\* External type A RCD is required.



# NexBlue Point (UK)

## EV Charger for Domestic Scenarios

### One for All and Future-oriented

- ✓ Adaptive to 1.4-7.4 kW charging power
- ✓ All grid systems compatible: TN-C-S, TN-C, TN-S, and TT
- ✓ OTA updates with WiFi / 4G eSIM / BLE
- ✓ Local OCPP 1.6-J supported

### Easy Installation and Configuration

- ✓ 4-minute installation
- ✓ Back plate design enables easy installation, maintenance and scalability
- ✓ NexBlue APP & Portal provide convenient configurations

### Cost Saving

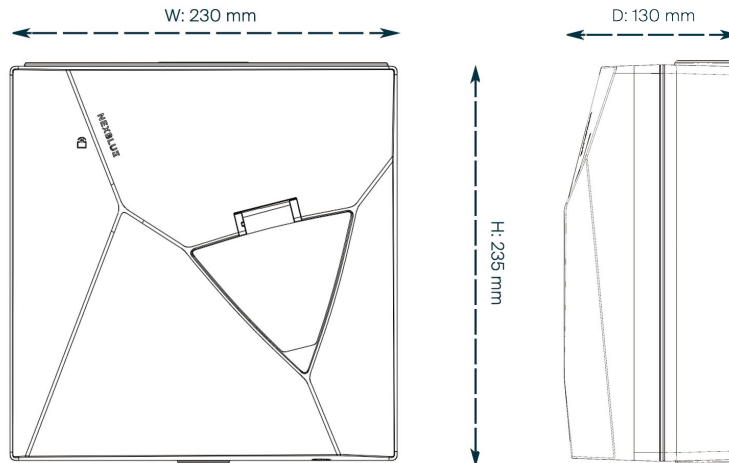
- ✓ OZEV-approved for both commercial and residential grants
- ✓ Dynamic load balancing (with NexBlue Zen)
- ✓ Solar surplus charging (with NexBlue Zen)
- ✓ Low-cost charging with energy tariffs
- ✓ Schedule charging during off-peak hours

### Safety and Reliability

- ✓ CE certified by leading testing agencies: SGS & TUV
- ✓ 18 smart sensors ensure protection and safety
- ✓ PEN-fault protection integrated
- ✓ Anti tamper protection



## Dimensions



## Technical information

### General

Dimension (mm):  
 H: 235 x W: 230 x D: 130  
 Wall Mounting (mm):  
 H: 206 x W: 130  
 Weight: 1.8 kg  
 Operating Temperature:  
 -30 °C to +50 °C  
 Storage Temperature:  
 -40 °C to +70 °C  
 Working Humidity: 5% to 80%  
 Working Altitude: < 2000 m  
 External Package: Carton  
 Warranty: 3 years

### User Interface

Enclosure: Plastics  
 LED Indicator:  
 Red / Green / Blue / White / Orange  
 RFID Reader:  
 ISO / IEC 14443 Type A  
 Start Mode:  
 myNexBlue APP / RFID / NFC / Plug  
 & Play / NexBlue User Portal

### Connectivity

Wi-Fi: 2.4 GHz 802.11b/g/n  
 Built-in eSIM:  
 4G (LTE Cat M1) / 2G / GPRS  
 Nexus RF  
 Bluetooth: BLE 4.2  
 OCPP: Local OCPP 1.6-J

### Protection

Built-in Residual Current Protection:  
 RDC-DD (6 mA DC) according to IEC  
 62955 + 30 mA AC\*  
 PEN Fault protection: Integrated  
 protection according to BS  
 7671:2018/A1:2020  
 Ingress Protection: IP54  
 Impact Protection: IK08  
 UV Resistant  
 Insulation Class: I  
 Overvoltage Category: III  
 EMC Level: CLASS B  
 Other Protection:  
 Overload protection  
 Residual current protection  
 Surge protection  
 Over/under voltage protection  
 Temperature protection  
 Relay welding protection  
 PE presence detection  
 CP diode presence detection

### Charging & Power grids

Charging Power: 1.4 to 7.4 kW  
 Charge Connector: Type 2 Socket  
 Rated Current:  
 6 A to 32 A 1 phase  
 Maximum Output Current: 32 A  
 Voltage: 230 V AC (±10%)  
 Installation Network:  
 TN-C-S, TN-C, TN-S, and TT  
 Mains Frequency: 50 Hz  
 Built-in Energy Meter: ±2%

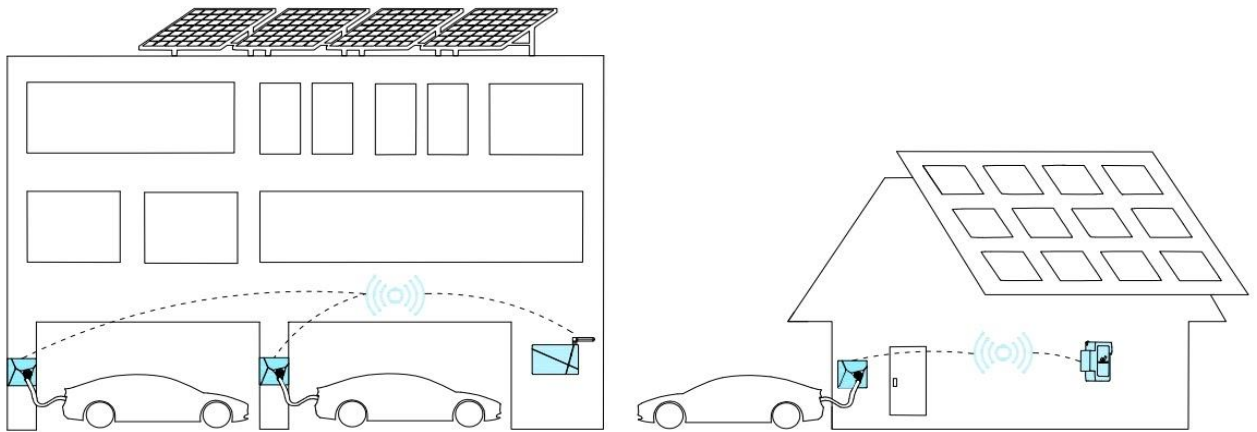
### Regulations:

EU Type Examination Certificate  
 (Module B) Confirming Compliant  
 with:  
 2014/53/EU (RED) | 2014/35/EU  
 (LVD)  
 2014/30/EU (EMC) | 2011/65/EU  
 (RoHS)  
 The Electric Vehicles (Smart  
 Charge Points) Regulations 2021  
 See DoC for details at  
<https://nexblue.com/pages/doc-declaration-of-conformity>

\* External type A RCD is required.

# NexBlue Zen (Current sensor)

## Load Balancers for All Scenarios



### Hassle-free smart charging

- ✓ Uninterrupted charging with DLB even without network
- ✓ High penetrability through walls with Nexus RF (Radio Frequency)
- ✓ Inter-circuit load balancing available through the Cloud in one Location



### Optimizing energy use

- ✓ Efficiently monitor and optimize energy use via WiFi or Ethernet
- ✓ Monitor solar or wind energy production
- ✓ Grasp real-time data from CT clamps, transmit to Cloud and chargers
- ✓ Future-proof for communication with energy storage and PV panels



### Effortless installation

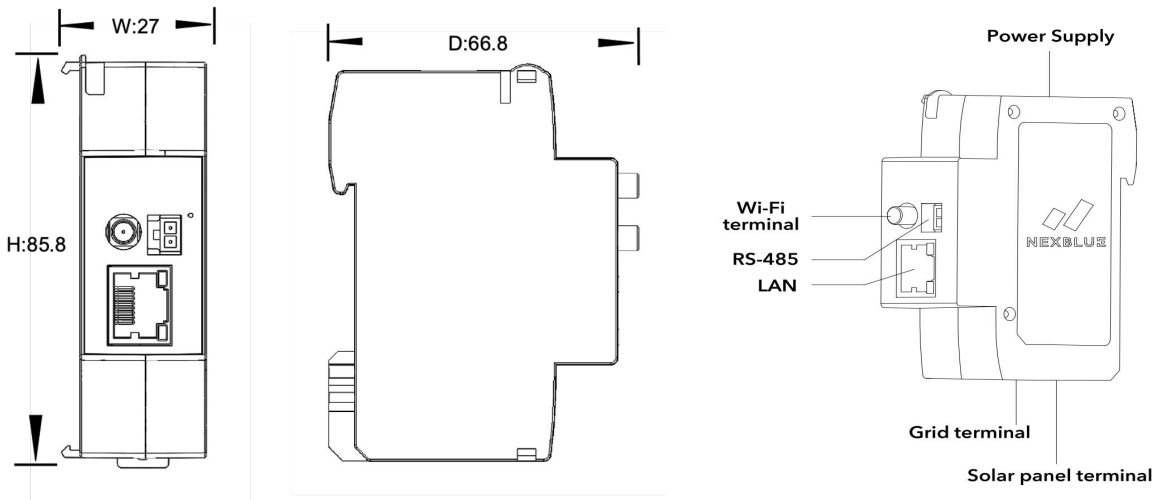
- ✓ No disassembly required
- ✓ No additional APP required
- ✓ No external power adaptor required
- ✓ 2-minute installation with DIN rail design



### Compact and highly compatible

- ✓ Nexus RF / Wi-Fi / Bluetooth / Ethernet
- ✓ Enhanced connectivity with external & extendable antenna
- ✓ With optional Rogowski Coil, current measurement up to 1500A

## Dimensions



## Technical Information

### General

Model: CS3ANA

Dimension (mm):

H:85.8 x W: 27 x D: 66.8

Weight: 95 g

Over-voltage category: OVC II

Insulation class: II

Voltage measurement range:

85-264 V AC

Rated power: 3 W

Current measurement range:

CT clamps (included):  $\pm 0 - 80$  A (MAX cross-section:  $16 \text{ mm}^2$ )

Rogowski coil (optional):  $\pm 0 - 1500$  A

Power supply:

85 - 264 V AC, 50Hz

Installation system: TT, IT or TN

single to three phase

Terminals: Grid terminal / solar panel terminal / RS-485 / LAN / Wi-Fi terminal / power supply terminal

Mounting: DIN rail

Warranty: 3 years

### Operating conditions

Operating temperature:

$-25^{\circ}\text{C}$  to  $+55^{\circ}\text{C}$

Ingress protection: IP30

Relative humidity: 0 - 90%

Altitude: 0-2000 m

Indoor use: Yes

### Connectivity

Wi-Fi: 2.4 GHz 802.11b/g/n

Bluetooth: BLE 4.2

Nexus RF

RS-485: TIA/EIA-485A

Ethernet: ISO/IEEE 802.3u

### Regulations:

EU Type Examination Certificate (Module B) confirming compliant with:

Radio Equipment Directive 2014/53/EU

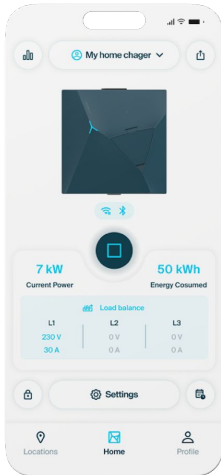
Article 3.1.a: Health and Safety

Article 3.1.b: EMC

Article 3.2: Effectively uses and efficient use of radio spectrum

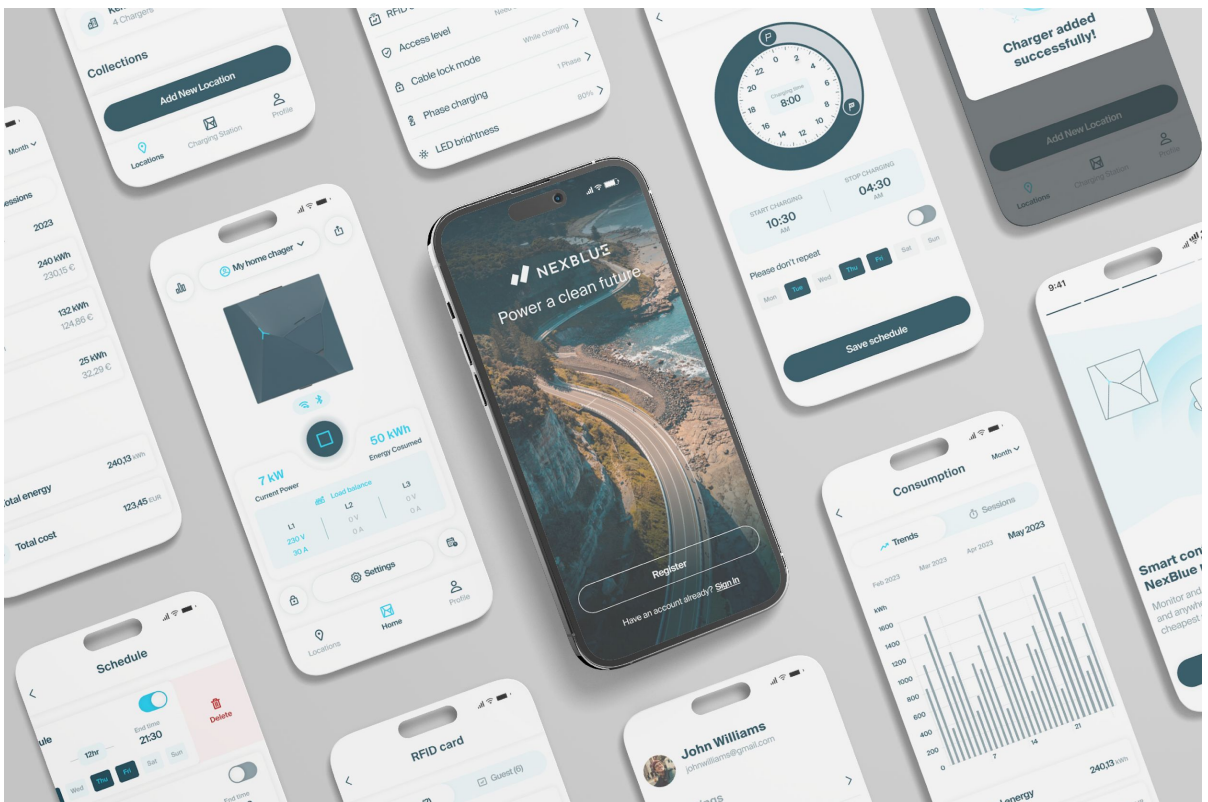
# Build a Smart Charging Experience

## Software Design for Users



myNexBlue APP enables users to:

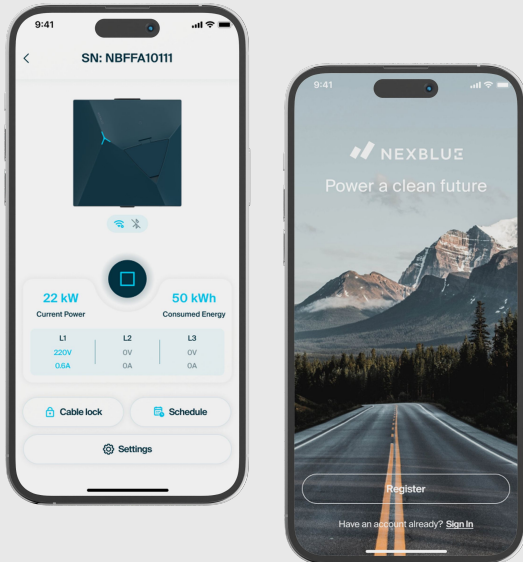
- ✓ Monitor and control your charging smartly
- ✓ Seamless Local Control via Bluetooth
- ✓ Schedule your charging in the most affordable and cleanest way
- ✓ Track your charging statistics and history
- ✓ Integrated with external service providers via local OCPP or our proprietary APIs
- ✓ Share your chargers' access with your family and friends
- ✓ Multiple charging on/off options: Plug&Play, RFID, mobile NFC, and APP control
- ✓ Online diagnosis and OTA upgrades





# Build a Smooth Installation Experience

## Software Design for Installers and Organizations

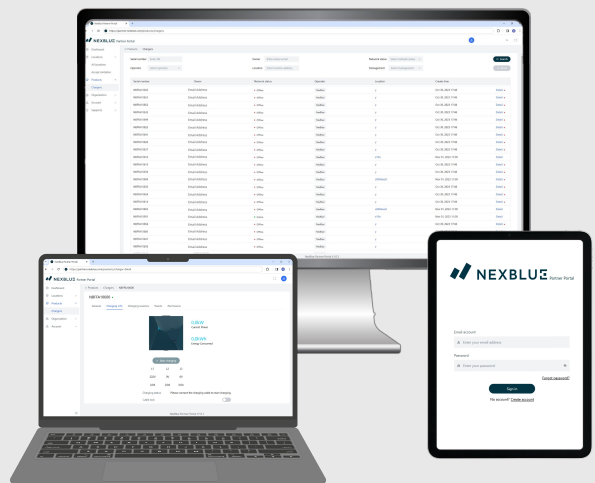


NexBlue Partner APP enables installers to:

- ✓ Create new installation locations or manage existing ones
- ✓ Configure new chargers
- ✓ Conduct post-configuration testing for the chargers
- ✓ Facilitate the transfer of locations to new owners
- ✓ Monitor real-time status for maintenance purposes
- ✓ Change operators as the owners' preferences

NexBlue Partner Portal enables installers and organizations to:

- ✓ Oversee and monitor installation locations
- ✓ View and export charging consumption data by user, charger or RFID card
- ✓ Manage all installations within a NexBlue Registered Organization
- ✓ Provide real-time status monitoring and reconfiguration for installed chargers
- ✓ Facilitate pre-configurations prior to installations



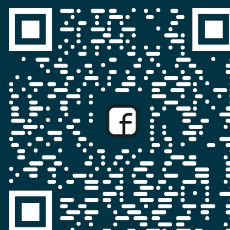


NEXBLUE

Website:  
[www.nexblue.com](http://www.nexblue.com)

For Technical Specification, please visit:  
<https://nexblue.com/pages/product-sheet>

Follow us:



Facebook Group  
[@NexBlueOfficial](https://www.facebook.com/NexBlueOfficial)



Instagram  
[@nexblue.official](https://www.instagram.com/nexblue.official)